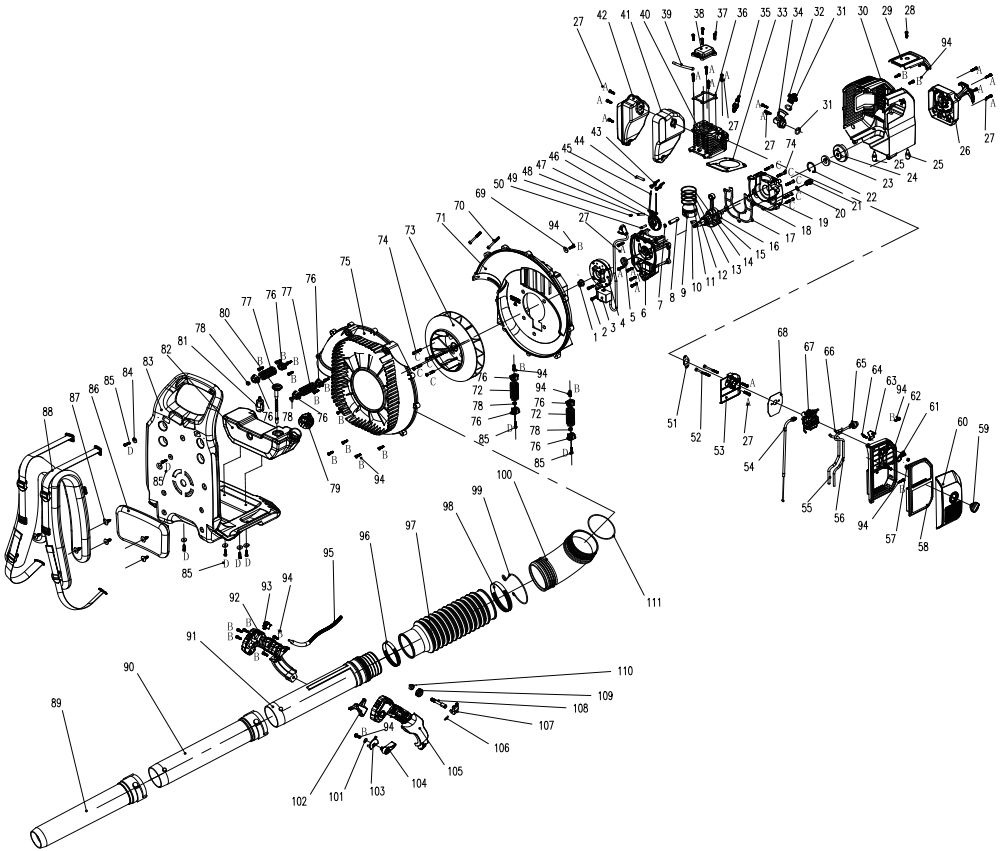


PARTS VIEW

Soffiatore BLB4QL



No.	Parts #	Description	Qty.
1	8NG-10D01	Hex flange face lock nut	1
2	8SJJ04-16D	Pan head slotted internal plum screw	2
3	A073002-053-00	Ignitor	1
4	A073002-008-00	Free wheel	1
5	8208-981503-01	Oil seal	1
6	A073002-004-00	Crankcase	1
7	8204-966001-00	Steel wire retaining ring for shaft	2
8	8605-966001-00	Pin	1
9	A015003-033-00	Piston	1
10	8DJE-00008	Key	1
11	8604-966004-00	Piston ring I	1
12	8604-966003-00	Piston ring II	1
13	8604-966001-00	Blade ring	2
14	8604-966002-00	Liner ring	1
15	A073002-047-00	Crankshaft	1
16	8BC-321509-WG02	Bearing 6002	1
17	A073002-044-00	Gasket	1
18	8PC40-08D	Cylindrical pin	4
19	A073002-003-00	Crankcase	1
20	8202-986501-00	Bolt washer	1
21	8216-986501-00	Bolt	1
22	8CA-32B	Circlip for hole	1
23	A037006-198-00	Oil seal	1
24	A073002-045-00	Start dial	1
25	A073002-061-00	Damping pad	2
26	A073002-019-00	Recoil Starter Handle	1
27	A073002-068-00	Pan head slotted internal plum screw	20
28	8SJJ05-12D	Pan head slotted internal plum screw	1
29	A073002-015-00	Spark Plug Cover	1
30	A073002-016-00	Engine Housing	1
31	8208-340105-00	Impact piston O-ring	2
32	8020-930502-00	Oil Tank Cap	1
33	A015003-017-00	Cylinder gasket	1
34	A073002-006-00	Tube	1
35	8611-981503-00	Spark plug	1
36	8341-966005-00	Cylinder head pad	1

37	8SJJ05-16D	Pan head slotted internal plum screw	4
38	A073002-038-00	Cylinder head cover	1
39	A073002-063-00	Ventilation tube	1
40	A015003-034-00	Cylinder	1
41	A073002-022-00	Cover	1
42	A073002-007-00	Muffler	1
43	8188-981503-00	Rocker arm as-valve	2
44	8086-966001-00	Upper rocker pin	1
45	Z051003-052-00	Lever	2
46	8188-981501-00	Lower rocker arm	2
47	8086-982004-01	Gear	1
48	8086-981503-00	Pin shaft	1
49	8SHCD06-05D	Hexagon socket flat point set screw	1
50	8086-982003-01	Axis	1
51	A073002-080-00	Air inlet gasket	1
52	8SFDD05-55	Hexagon headed bolt	2
53	A073002-005-00	Fixed seat	1
54	A073002-035-00	Cable assembly	1
55	A073002-070-00	Inlet pipe	0.205m
56	234-1005	Outlet pipe	0.23m
57	8NA-05D	Hexagon nut	2
58	A073002-012-00	Filter	1
59	A015003-099-00	Knob	1
60	A073002-010-00	Air filter cover	1
61	A073002-013-00	Damper panel	1
62	A073002-011-00	Air filter holder	1
63	A073002-014-00	Choke Lever	1
64	8SNAA35-14D	Flange face pointed tapping screws	1
65	8336-965101-00	Primer	1
66	234-1004	Return pipe	0.026m
67	A073002-009-00	Carburetor	1
68	A073002-073-00	Carburetor gasket	1
69	8202-462203-00	Brake gasket	1
70	8SJJ05-55D	Pan head slotted internal plum screw	2
71	A073002-018-00	Housing	1
72	A073002-055-00	Compression spring	2
73	A073002-023-00	Blades	1

74	A73002-069-00	Pan head slotted internal plum screw	9
75	A073002-017-00	Housing	1
76	A073002-021-00	Positioning block	8
77	A073002-026-00	Compression spring	2
78	8NA-06D	Hexagon nut	4
79	8440-981501-01	Fuel tank cap assembly	1
80	A073002-060-00	Fuel pipe	1
81	A015003-113-00	Fuel filter	1
82	A073002-040-00	Fuel tank assembly	1
83	A073002-020-00	Fixed seat	1
84	8WF-06D03	Flat washer	6
85	A73002-067-00	Pan head slotted internal plum screw	6
86	A073002-050-00	Back cushion	1
87	A073002-051-00	Clip	6
88	A073002-043-00	Shoulder harness	1
89	A073002-029-00	blower pipe	1
90	A073002-028-00	Intermediate Pipe	1
91	A073002-027-00	Control Pipe	1
92	A073002-032-00	Handle	1
93	9042-923107-00	On/Off Switch	1
94	8SJB50-16D	Pan head slotted internal plum screw	24
95	A073002-033-00	Flameout line	1
96	A073002-056-00	Clamp	1
97	A073002-025-00	Flexible Pipe	1
98	A073002-054-00	Clamp	1
99	A073002-030-00	Spring clamp	1
100	A073002-024-00	Pipe	1
101	8321-526301-00	Flat pad	1
102	A073002-037-00	Throttle Trigger	1
103	A073002-036-00	Dial	1
104	A073002-039-00	Throttle Position Lever	1
105	A073002-031-00	Handle	1
106	8086-650204-00	Cylindrical pin	1
107	8044-650203-01	Push button	1
108	A073002-062-00	Bolt	1
109	8313-910801-00	Quick clip knob	1
110	8NA-08D	Hexagon nut	1
111	A073002-081-00	O-ring	1